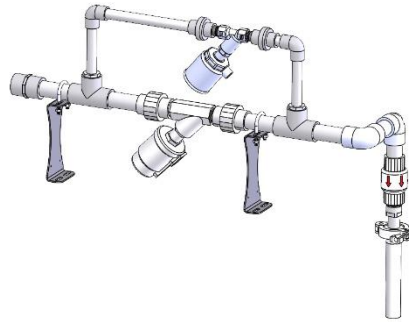





FILLER PIPING

GROUP	CODE	ASSEMBLY
F-PP	17	0010-03616-005



				
791-40753-G-V	791-40755-G-V	38221	200299-1-316	200234-1.5

				
791-21025-G	08448896T107	08445T43		
